

## BROAD EFFECT CORE / BRE-3721-20-A79-BK



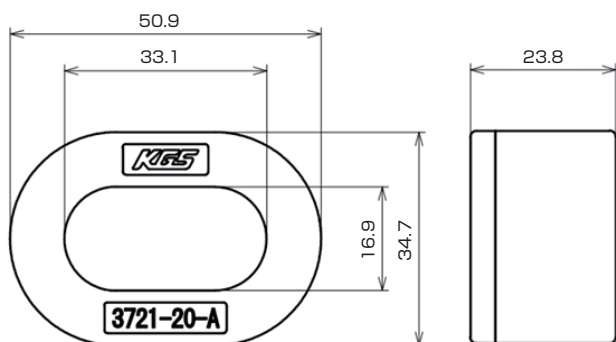
### Oval Nanocrystalline Alloy Core



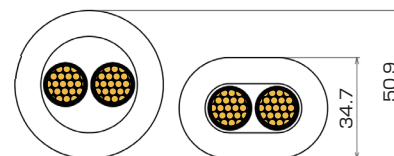
- Oval-shape provides space-saving, lower profile than ring cores.
- With high impedance, effective for suppressing noise across a broad frequency range.
- Vibration resistance complies with in-vehicle vibration test standard (ISO 16750-3 II)
- Stable EMI performance from low to high temperature range.
- Operating temperature: -40°C to +125°C
- UL94V-0 rated plastic case with excellent electrical insulation.

### Specifications

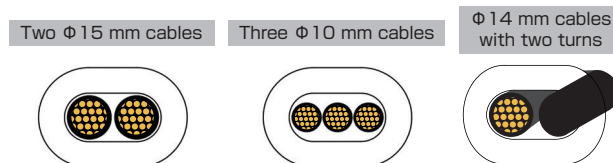
#### ● Product dimensions (Unit: mm)



<Comparison with Ring Core>  
(When BRE is installed over two  $\Phi 15$  mm cables)



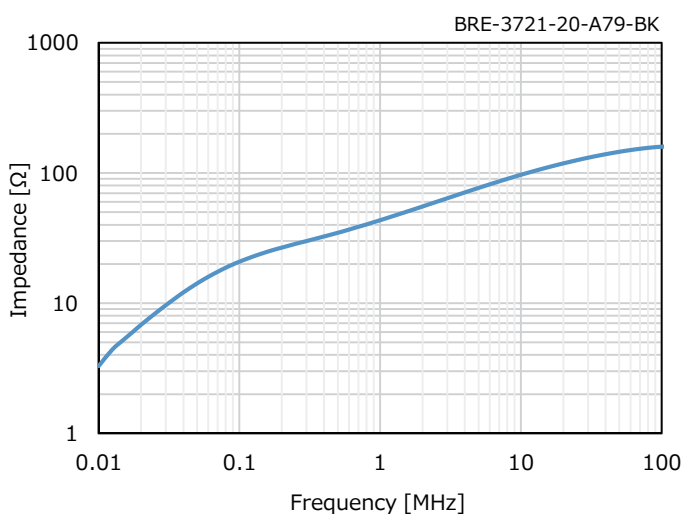
<Cable Insertion examples>  
(Recommended cable diameters)



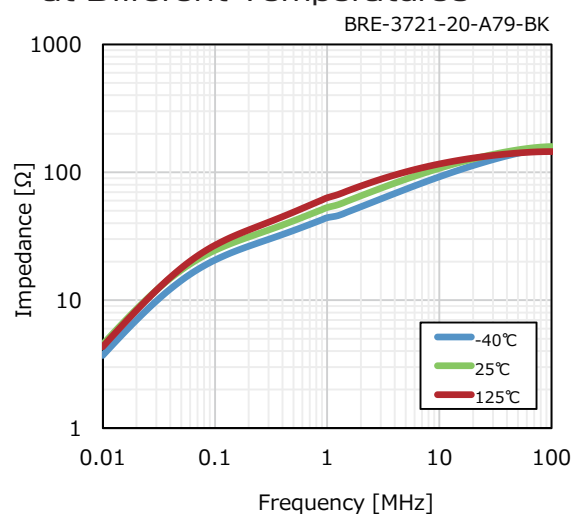
<Application Examples>

Inverters, servo amplifiers, switching power supplies

### Impedance vs Frequency



### Impedance vs Frequency at Different Temperatures



- The specifications are for reference only, and not a guarantee. Information may change without notice.
- Any reprinting or copying of content in this document is prohibited without our prior consent.